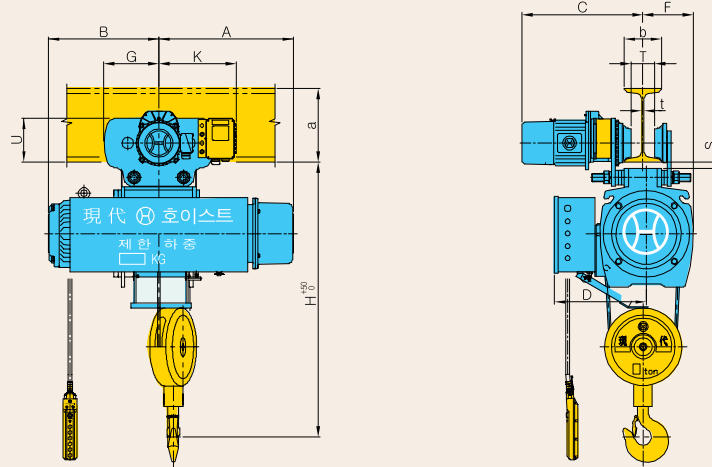


Ordinary Type Hoist With Motor-Driven Trolley(HN)



		Capacity (ton)																			
		1		2		2.8, 3		5													
Hoist	Lift Height(m)	6(12)		6(12)		6(12)		6(12)													
	Hoisting Speed (m/min)	High Speed	50Hz	10	8.3	7.5	4.7														
			60Hz	12	10	9	5.6														
		Low Speed	50Hz	6.7	5	3.8	3.5														
			60Hz	8	6	4.5	4.2														
	Hoisting Motor (kW×P)	High Speed	2.2×4		3.7×4		5.5×4		5.5×6												
		Low Speed	1.5×6		2.5×6		2.8×8		4.2×8												
Wire Rope	Construction	6×24		6×37		6×37		6×37													
	Dia. (mm) × No. of ropes	8×2		10×2		12.5×2		16×2													
Brake		DC magnet disc																			
Traversing	Traversing Speed (m/min)	High Speed	50Hz	20	20	20	20														
			60Hz	24	24	24	24														
		Low Speed	50Hz	13.3	13.3	13.3	13.3														
			60Hz	16	16	16	16														
	Traversing Motor (kW×P)	High Speed	0.75×4		0.75×4		0.75×4		0.75×4												
Low Speed	0.5×6		0.5×6		0.5×6		0.5×6														
Brake		DC magnet disc																			
Dimension (approx.) (mm)	H	815		960		1115		1325													
	A	464(512)		502(552)		547(597)		632(682)													
	B	379(531)		431(581)		448(598)		523(673)													
	D	303		330		375		398													
	G	212		225		225		275													
	K	304		314		314		349													
I-beam and Spacing (mm)	a×b×t	C	S	F	T	U	C	S	F	T	U	C	S	F	T	U	C	S	F	T	U
	200×100×7	454.5	35	169	48	144	465	32	197	46	170	465	32	205	46	170	-	-	-	-	-
	250×125×7.5	467	33	169	73	146	478	30	197	71	172	478	30	205	71	172	483	40	240	60	216
	300×150×10	479.5	27	169	98	152	490	24	197	96	178	490	24	205	96	178	495.5	34	240	85	222
	450×175×13	-	-	-	-	-	-	-	-	-	-	-	-	-	-	-	508	26	240	110	230
Min. radius of curvature(m)		1.5				1.8				1.8				2.3							
Weight (approx.) (kg)		212(228)				284(308)				372(405)				586(630)							

Note : 상기 이외 비표준 사양은 당사로 문의 바랍니다. Please contact us for the hoist other than above listed specification.
5ton Hoist까지는 와이어로프가 2줄입니다. 4줄 사용시는 당사로 문의 바랍니다. The number of wire rope is 2 falls up to 5 ton. Please contact us, if 4 falls are required.