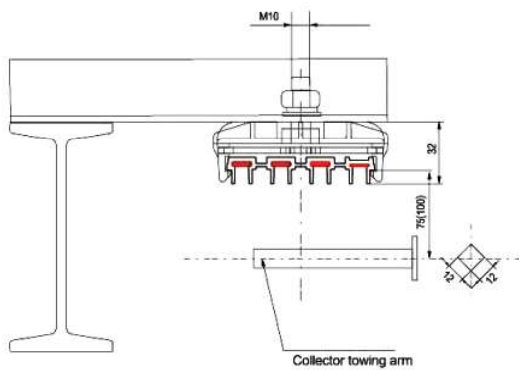
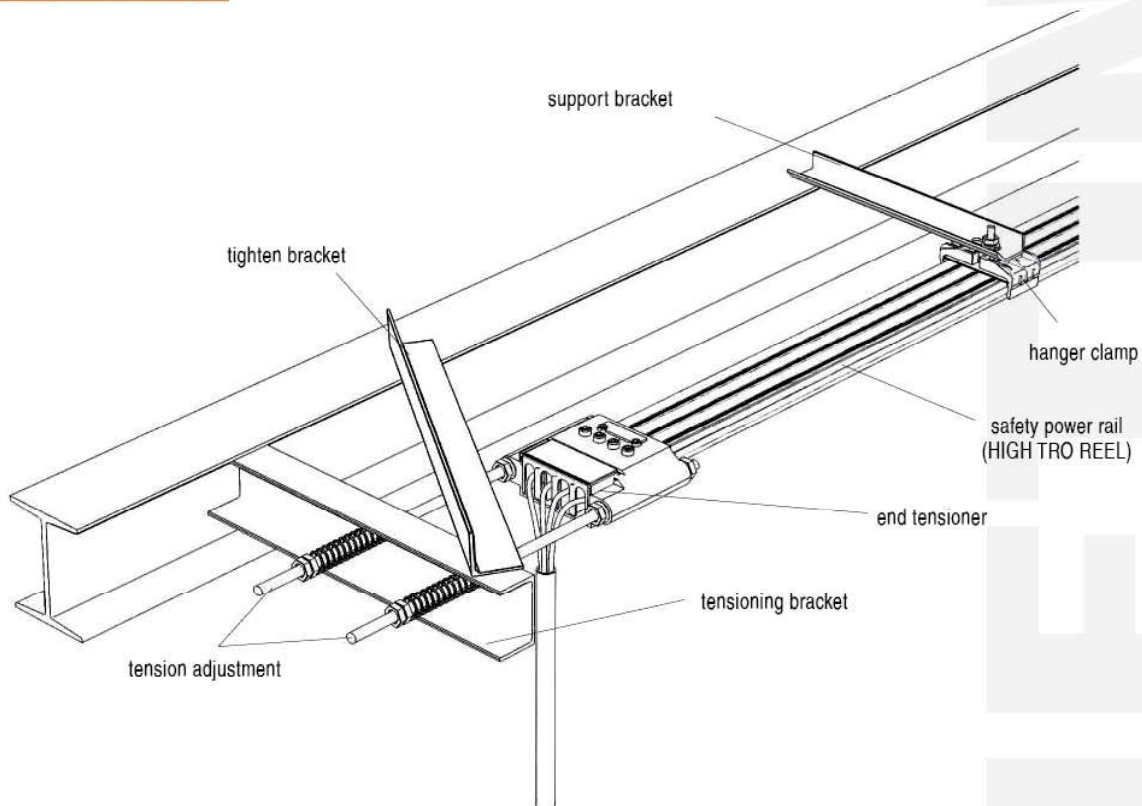


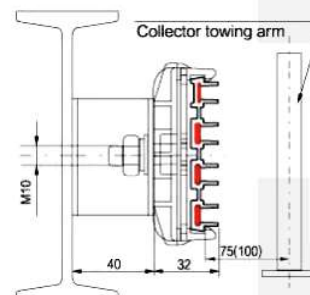
Equipment for Hoists and Crane

HIGH-TRO-REEL SYSTEMS

Standard Installation



Horizontal installation



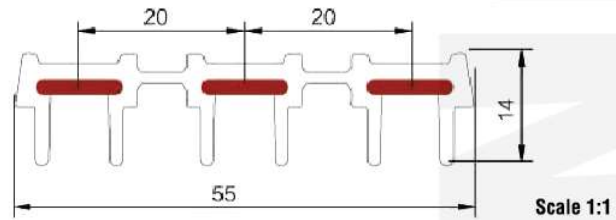
Vertical installation

Equipment for Hoists and Crane

HIGH-TRO-REEL SYSTEMS

KM3P Body (indoor only)

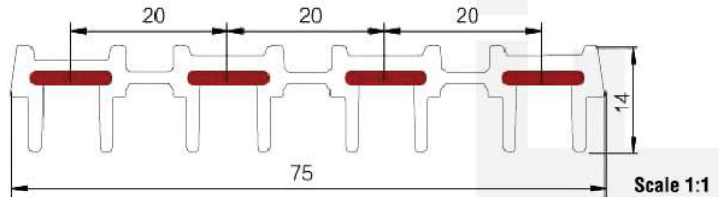
- Rating: 3P; 690V 50A-120A
- Conductor material: copper
- Insulated Jacket Material: rigid PVC (heat resistance: 75)



Type	Poles	Conductor cross section (mm ²)	Max. current(A)
761003	3	3 x 10 mm ²	50A
761503	3	3 x 15 mm ²	80A
762003	3	3 x 20 mm ²	100A
762503	3	3 x 25 mm ²	120A
763503	3	3 x 35 mm ²	140A

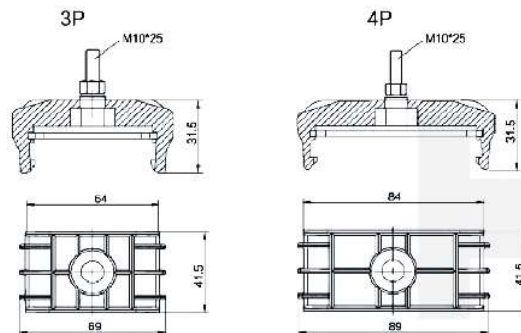
KM4P Body (indoor only)

- Rating: 4P; 690V 50A-120A
- Conductor material: copper
- Insulated Jacket Material: rigid PVC (heat resistance: 75)



Type	Poles	Conductor cross section (mm ²)	Max. current(A)
761004	4	4 x 10 mm ²	50A
761504	4	3 x 15 mm ² + 1 x 10 mm ²	80A
762004	4	3 x 20 mm ² + 1 x 10 mm ²	100A
762504	4	3 x 25 mm ² + 1 x 12.5 mm ²	120A
763504	4	3 x 35 mm ² + 1 x 12.5 mm ²	140A

Hanger Clamp

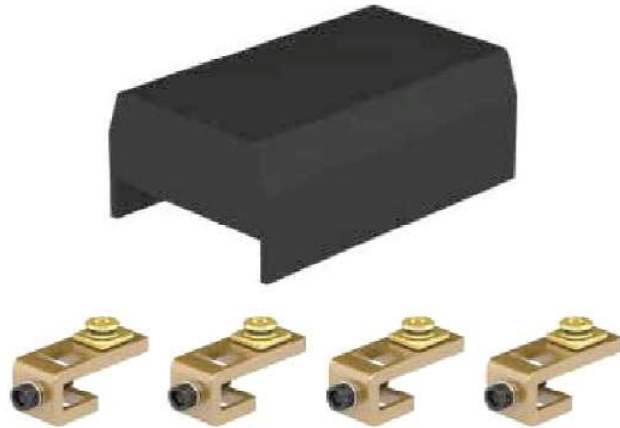


Type	Model	Weight(Kg)	Material
768503	3P 50A - 120A	0.070	Plastic
768513	3P 140A	0.068	Plastic
768504	4P 50A - 120A	0.080	Plastic
768514	4P 140A	0.078	Plastic
768506	6P	0.098	Plastic

Equipment for Hoists and Crane

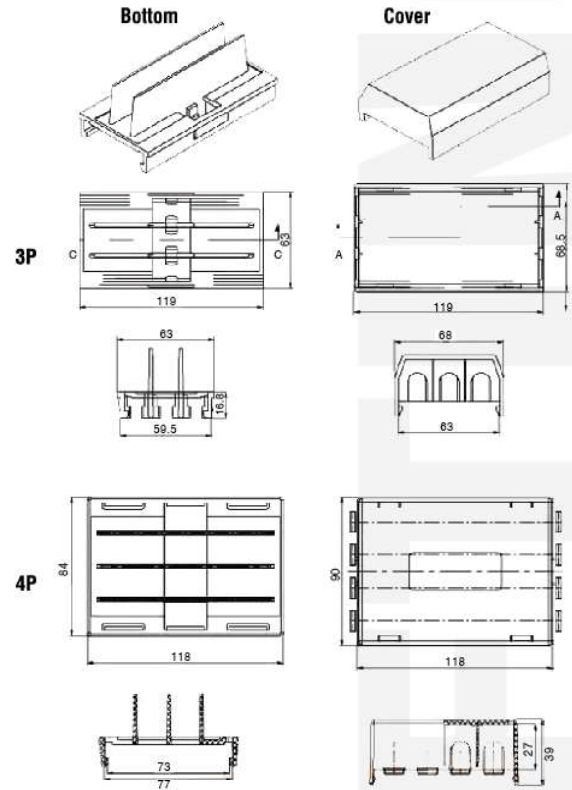
HIGH-TRO-REEL SYSTEMS

Joining Box (Line Feeding)



Banded joints

Type	Model	Rating	Weight(Kg)
768303	3P Banded joints	3P090V100A	0.20
768304	4P Banded joints	4P690V100A	0.25
768306	6P Banded joints	6P690V100A	0.35



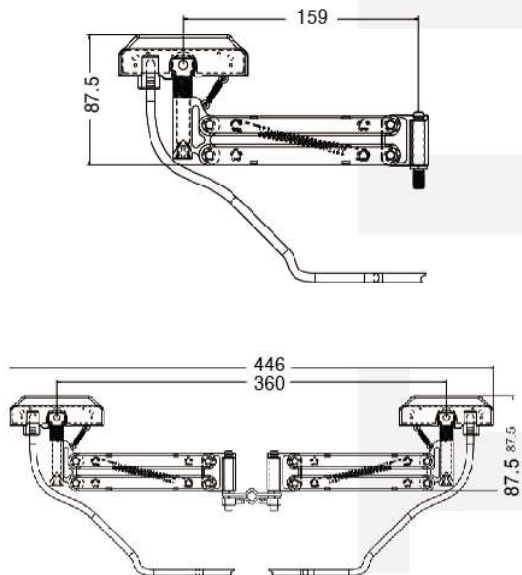
Collector



Single Collector 769020



Double collector 769040

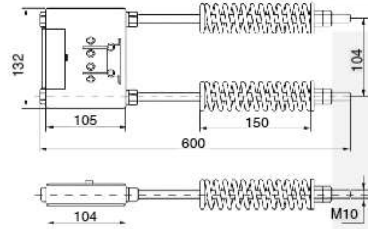


Type	Model	Weight(Kg)	Material
769010	690V 30A	0.16	Plastic
769020	690V 60A	0.17	Plastic
769030	690A 60A	0.32	Plastic
769040	690A 120A	0.34	Plastic

Equipment for Hoists and Crane

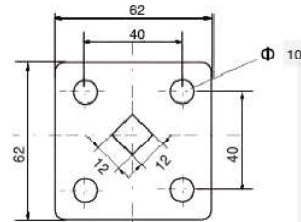
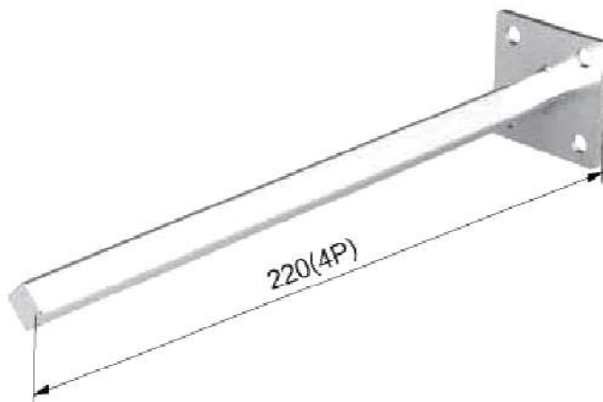
HIGH-TRO-REEL SYSTEMS

End Tensioner(End Feeding)



Type	Model	Rating	Weight(Kg)
KM768003	3P	3P 690V 120V	1.80
KM768004	4P	4P 690V 120V	2.15
KM768006	6P	6P 690V 120V	2.95

Towing Arm



Type	Model	Weight(Kg)	Material
KM769133	3P	0.58	steel
KM769141	1P	0.65	steel