



ELEPHANT
Specialized manufacturer of highest grade hoist chain

MANUAL CHAIN BLOCK



World's most-advanced manual hoist.

*Load chain  B39 VHC strongest ever than before.
H-100 is equipped with new developed load chain
Grade V 100kgf/mm²*

Very light and compact [11.4kg(1-ton)]

*A model with overload protection device
is available. Please specify upon order.*



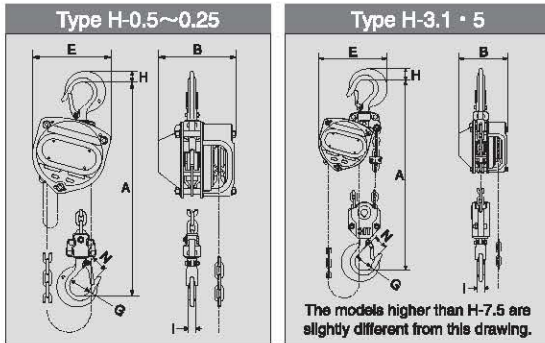
H-100

H-100

●Elephant's high-tech load chains are approved by **DIN 5684**, one of the world's strictest standards. This is the special heat-treated load chain of **Grade V (100kgf/mm²)** whose tensile strength far surpasses JIS Grade V.

●**Double pawls** supporting fail-safe brake mechanism. Even if by any chance one of the two pawls becomes unserviceable, the other will still remain operative, and the brake system remains secure.

●Hooks of easier handling shape. The opening of the hooks has been made wider for easier handling and working. And, if by any chance the hook is overloaded, there is no fear of its breaking, and it will simply start straightening out gradually, avoiding any load drop or human injury.



●**Tough framing.** The tough gear case, reinforced with four ribs and four knock pins, provides accurate gear centering and high mechanical efficiency.

●Rolled-edge hand wheel cover. This provides smooth operation of the hand chain when pulled sideways.

●Strong and least-corrosive electrostatic powder painting.

●Dry friction discs with longer life.

●Unique chain guide.

●Load sheave with roller bearing.

●Anchor plate avoiding over-lowering.

SPECIFICATIONS

H-100

ELEPHANT Model	Capacity (ton)	Test load	Standard lift (m)	Min. distance between hooks (A)	Hand effort to lift full working load (kg)	Load chain			Hand chain dia. X pitch (mm)	Net weight (kg)	Dimensions(mm)					
						dia. X pitch (mm)	no. of falls	Grade of chain			(B)	(E*)	(G)	(H)	(I)	(N)
H-0.5	0.5	0.75	2.5	277	22	5X15	1	V	5X23.6	9	155	140	36	17	13	26
H-1	1	1.5	2.5	303	25.5	6.3X19	1	V		11.4	160	160	43	22	16	30
H-1.6	1.6	2.4	2.5	338	34	7.1X21	1	V		14.7	168	183	48	27	20	35
H-2	2	3.0	3	379	33	8X24	1	V		21	183	215	53	29	22	38
H-2.5	2.5	3.75	3	416	33	9X27	1	V		25.4	190	233	55	34.5	24	40
H-3.1	3.1	4.65	3	518	35	7.1X21	2	V		24	168	230	60	37	27	44
H-5	5	7.5	3	613	35	9X27	2	V		39.5	190	282	70	46	34	53
H-7.5	7.5	9.5	3.5	760	37.5	9X27	3	V		70	190	370	85	62.5	47.5	73
H-10	10	12.5	3.5	789	37.5	9X27	4	V		82	190	370	85	62.5	47.5	73
H-16	16	20.0	3.5	985	40	9X27	6	V		148	235	492	102	79	62	81
H-20	20	25.0	3.5	1120	36X2	9X27	8	V		(210)	361	721	112	85	70	96
H-32	32	40.0	3.5	1290	49X2	9X27	10	V		(295)	401	721	127	113	87	116
H-40	40	50.0	3.5	1450	47X2	9X27	14	V		(465)	493	731	146	135	125	108
H-50	50	62.5	3.5	1520	50X2	9X27	16	V		(550)	541	731	166	156	137	120

※The weight and dimension N fluctuates to some degree owing to the adoption of free casting. ※Dimension E fluctuates to some degree depending on the load. ※Weight in () shows approximate weight.

Geared Trolley (for EU countries)

ELEPHANT Model	Capacity (ton)	Hand chain dia. X pitch (mm)	Trolley min. radius (mm)	Net weight (kg)	I-beam width (mm)	Dimensions(mm)									
						(A)	(B)	(C)	(D)	(E)	(H)	(I)	(J)		
G-0.5	500kg	5X22.5	900	12.0	58~130	228.4	130.5	113	212	70	108	38	28		
G-1	1	6X26.6	1100	16.0		250	130.5	117	236	80	112	40	30		
G-1.6	1.6	6X26.6	1200	24.5	70~155	308	155.5	123	306	98	150	60	40		
G-2	2	6X26.6	1200	25.0		308	155.5	123	306	98	150	60	40		
G-3.1	3.1	6X26.6	1700	33.5	90~160	326	153	133.5	343	115	177.5	65	50		
G-5	5	6X26.6	2300	55.8		367.2	183.5	150	406.5	125	222.5	80	60		
G-7.5	7.5	5X23.6	※3000	107.0	125~190	470	187	287	458	158	246	100	80		
G-10	10	5X23.6	※3000	117.0		470	187	287	458	158	246	100	80		
G-16	16	5X23.6	6000	315.0	150~190	669	230.5	454.5	623	197	271.5	φ60			
G-20	20	5X23.6	6000	420.0		669	230.5	454.5	623	197	271.5	φ60			

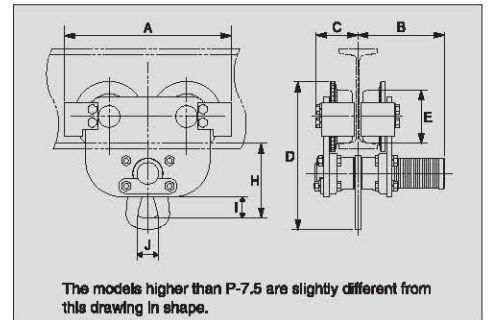
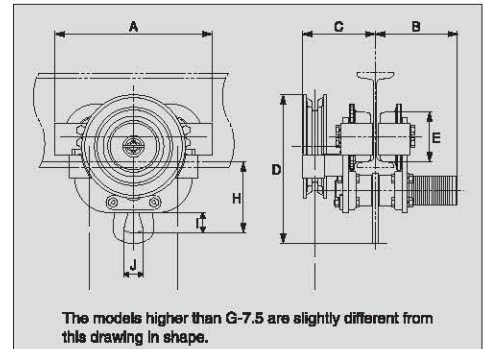
※Dimension B and C are in case of the minimum I-beam width. ※Dimension H fluctuates to some degree depending on the width of I-beam. ※Minimum radius 3000mm of G-7.5 and G-10 is applicable for beam width 150-190mm only.

Plain Trolley (for EU countries)

ELEPHANT Model	Capacity (ton)	Trolley min. radius (mm)	Net weight (kg)	I-beam width (mm)	Dimensions(mm)									
					(A)	(B)	(C)	(D)	(E)	(H)	(I)	(J)		
P-0.5	500kg	900	8.0	58~130	228.4	130.5	69	203	70	108	38	28		
P-1	1	1100	11.0		250	130.5	67	221.5	80	112	40	30		
P-1.6	1.6	1200	19.0	70~155	308	155.5	81.5	281	98	150	60	40		
P-2	2	1200	19.0		308	155.5	81.5	281	98	150	60	40		
P-3.1	3.1	1700	27.0	90~160	326	153	93.5	329	115	177.5	85	50		
P-5	5	2300	48.5		367.2	183.5	108	394	125	222.5	80	60		
P-7.5	7.5	※3000	98.0	125~190	470	187	187	482	158	246	100	80		
P-10	10	※3000	100.0		470	187	187	482	158	246	100	80		
P-16	16	6000	295.0	150~190	669	230.5	230.5	642.5	197	271.5	φ60			
P-20	20	6000	400.0		669	230.5	230.5	642.5	197	271.5	φ60			

※Dimension B and C are for the minimum I-beam width. ※Dimension H fluctuates to some degree depending on the width of I-beam. ※Minimum radius 3000mm of P-7.5 and P-10 is applicable for beam width 150-190mm only.

●Specs and dimensions may be changed without prior notice.



ELEPHANT CHAIN BLOCK CO., LTD.