

TSK STANDARD/STRONG OPEN SPELTER SOCKET



This socket is lighter and stronger than the general JIS type socket. The wire ropes vary according to the type of sockets, as follows-

The standard type : Strand Rope

The strong type : Spiral Strand Rope, Locked Coil Strand Rope

Material : S35C

Surface Treatment : Self Color or Hot Dip Galvanizing

**TOKYO ROPE MFG.CO.,LTD. developed TSK Spelter Socket.

**We can also manufacture the products by using other materials and applying surface treatment other than the above.



AUZAC CO.,LTD.

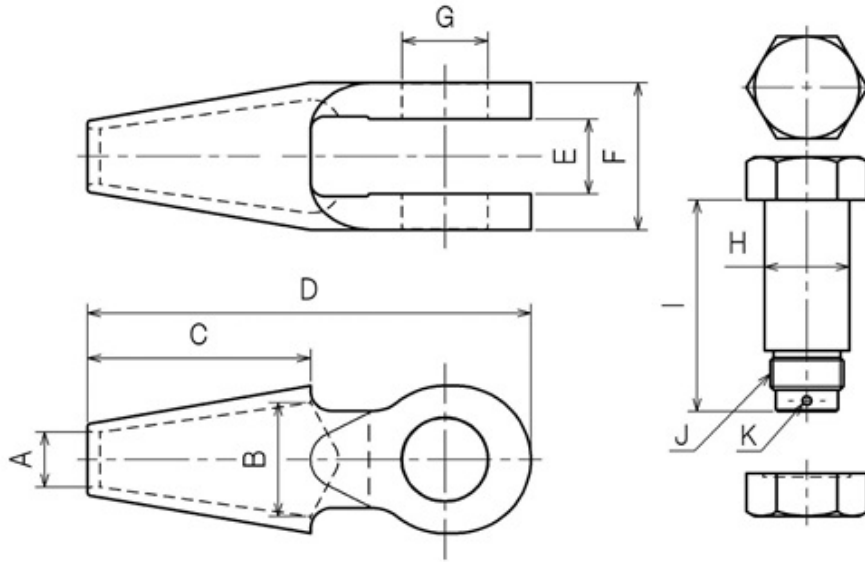
26-229, Tomochoushiroji, Fukuyama-shi, Hiroshima, Japan

mail:info@auzac.jp

HP:https://www.auzac.jp/en/

 **AUZAC**
AUZAC CO.,LTD.

TSK STANDARD OPEN SPELTER SOCKET



(mm)

Wire diameter	A	B	C	D	E	F	G	H	I	J	K split pin	W.L.L. (Ton)	B.L. (Ton)
(10)	17	28	42	94	18	36	21	20.5	59	M18×1.5	φ5×25	-	-
16	21	40	74	152	26	52	31	30.5	80	M27	φ5×35	6.5	19.5
18	23	46	84	172	30	60	35	34.5	90	M30	φ5×40	8.2	24.7
20	25	50	92	190	34	66	38	37.5	98	M33	φ5×40	10.2	30.5
22	28	56	102	204	36	72	41	40.5	108	M36	φ6×45	12.3	36.9
24	30	60	112	224	40	78	45	44.5	116	M39	φ6×45	14.6	43.9
26	32	64	122	244	42	84	48	47.5	124	M42	φ6×50	17.2	51.5
28	34	70	132	266	46	90	52	51	132	M45	φ6×50	19.9	59.7
30	36	74	140	278	48	96	55	54	140	M48	φ6×55	22.9	68.6
32	39	80	152	300	52	104	59	58	154	M52	φ8×60	26.0	78.0
34	41	84	158	316	56	110	63	62	160	M52	φ8×60	29.4	88.1
36	44	88	168	336	58	114	66	65	167	M56	φ8×60	32.9	98.7
38	46	94	176	356	62	122	70	69	177	M60	φ8×65	36.7	110.0
40	48	98	188	370	64	128	73	72	186	M64	φ8×70	40.7	122.0
42	50	102	198	390	68	134	77	76	194	M68	φ8×70	44.7	134.0
44	52	108	206	405	70	140	80	79	200	M68	φ8×70	49.0	147.0
46	54	112	216	430	74	146	84	83	212	M72×6	φ10×75	53.7	161.0
48	56	116	228	445	76	152	87	86	222	M76×6	φ10×80	58.7	176.0
50	59	122	236	465	80	158	90	89	230	M80×6	φ10×85	63.0	190.0
52	62	128	244	485	84	166	94	93	238	M80×6	φ10×85	68.7	206.0
54	64	132	252	495	86	172	97	96	246	M85×6	φ10×90	74.0	222.0
56	66	136	264	520	90	178	101	99.5	252	M85×6	φ10×90	79.7	239.0
58	68	142	274	535	92	184	105	103.5	262	M90×6	φ10×100	85.0	256.0
60	70	146	282	555	96	190	109	107.5	277	M95×6	φ13×100	91.0	274.0
62	72	150	292	575	98	196	112	110.5	283	M95×6	φ13×100	97.7	293.0
64	74	156	306	595	102	202	116	114.5	292	M100×6	φ13×110	104.0	312.0
66	77	160	312	610	104	208	119	117.5	301	M105×6	φ13×120	111.0	332.0
68	79	164	322	635	108	214	123	121.5	307	M105×6	φ13×120	117.0	352.0
70	81	170	330	645	112	222	127	125.5	317	M110×6	φ13×120	124.0	373.0
72	83	174	342	670	114	226	130	128.5	325	M115×6	φ13×120	132.0	395.0
74	85	178	352	690	116	232	133	131.5	331	M115×6	φ13×120	139.0	417.0
76	87	184	360	700	120	240	137	135.5	342	M120×6	φ13×130	147.0	440.0
78	89	188	370	720	124	246	140	138.5	348	M120×6	φ13×130	155.0	464.0
80	92	194	380	740	126	252	144	142.5	358	M125×6	φ13×140	163.0	488.0
82	94	198	390	760	130	258	147	145.5	366	M130×6	φ13×140	171.0	512.0
84	96	202	400	780	132	264	150	148.5	372	M130×6	φ13×140	179.0	538.0
86	98	208	410	800	136	270	154	152.5	387	M135×6	φ16×150	188.0	563.0
88	100	212	420	820	138	276	157	155.5	393	M135×6	φ16×150	197.0	590.0
90	102	216	430	840	142	282	161	159.5	402	M140×6	φ16×150	206.0	617.0
92	104	222	440	850	146	290	165	163.5	413	M145×6	φ16×160	215.0	645.0
94	107	226	448	870	148	296	168	166.5	419	M145×6	φ16×160	224.0	673.0
96	109	232	460	890	152	302	172	170.5	428	M150×6	φ16×160	234.0	702.0
98	111	236	466	910	154	308	175	173.5	437	M155×6	φ16×170	244.0	732.0
100	113	240	478	930	158	314	179	177.5	443	M155×6	φ16×170	254.0	762.0

AUZAC CO.,LTD.

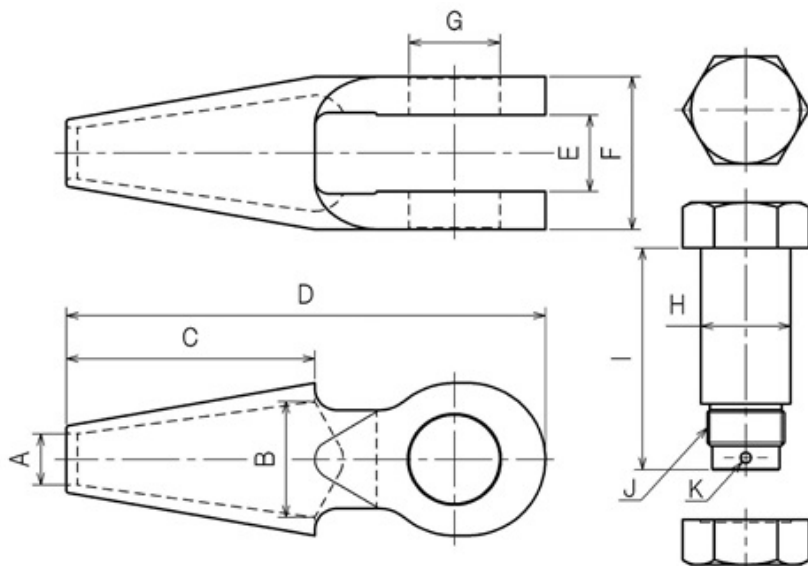
26-229, Tomochoushiroji, Fukuyama-shi, Hiroshima, Japan

mail:info@auzac.jp

HP:https://www.auzac.jp/en/



TSK STRONG OPEN SPELTER SOCKET



(mm)

Wire diameter	A	B	C	D	E	F	G	H	I	J	K split pin	W.L.L. (Ton)	B.L. (Ton)
(14)	23	44	72	154	28	56	32	31.5	87	M27 × 2	φ 6 × 35	-	-
(16)	24	48	90	182	32	62	37	36.5	97	M33 × 2	φ 6 × 45	-	-
(18)	25	54	104	206	36	70	41	40.5	106	M36	φ 6 × 50	-	-
20	27	58	114	226	38	76	45	44.5	114	M39	φ 6 × 45	14.6	39.4
22	29	64	126	248	42	84	49	48.5	124	M42	φ 6 × 50	17.6	47.6
24	31	70	142	276	46	92	53	52	134	M45	φ 6 × 50	21.0	56.7
26	33	74	152	300	50	98	57	56	142	M48	φ 6 × 55	24.6	66.5
28	35	80	164	322	54	106	62	61	156	M52	φ 8 × 60	28.6	77.2
30	38	86	174	342	58	114	66	65	167	M56	φ 8 × 60	32.8	88.6
32	41	92	188	362	60	120	69	68	175	M60	φ 8 × 65	37.4	101.0
34	43	96	200	390	64	126	74	73	184	M64	φ 8 × 70	42.2	114.0
36	45	102	210	410	68	134	78	77	194	M68	φ 8 × 75	47.4	128.0
38	47	108	222	432	72	142	82	81	208	M72 × 6	φ 10 × 80	52.6	142.0
40	50	114	236	455	76	150	87	86	220	M76 × 6	φ 10 × 85	58.2	157.0
42	52	118	248	480	78	156	90	89	228	M80 × 6	φ 10 × 85	64.4	174.0
44	54	124	258	500	82	164	94	93	236	M80 × 6	φ 10 × 90	70.7	191.0
46	56	130	270	520	86	172	99	98	246	M85 × 6	φ 10 × 95	77.0	208.0
48	58	134	286	550	90	178	104	102.5	256	M90 × 6	φ 10 × 100	84.1	227.0
50	60	140	296	570	94	186	108	106.5	273	M95 × 6	φ 13 × 110	91.1	246.0
52	64	146	306	590	96	192	112	110.5	279	M95 × 6	φ 13 × 110	98.5	266.0
54	66	152	318	615	100	200	116	114.5	290	M100 × 6	φ 13 × 120	106.0	287.0
56	68	158	332	640	104	208	120	118.5	301	M105 × 6	φ 13 × 130	114.0	309.0
58	70	162	344	660	108	214	125	123.5	309	M110 × 6	φ 13 × 130	123.0	331.0
60	72	168	356	680	112	222	129	127.5	317	M110 × 6	φ 13 × 130	131.0	354.0
62	74	174	368	705	116	230	133	131.5	329	M115 × 6	φ 13 × 130	140.0	378.0
64	76	178	382	730	118	236	137	135.5	338	M120 × 6	φ 13 × 130	149.0	403.0
66	78	184	394	750	122	244	141	139.5	350	M125 × 6	φ 13 × 150	159.0	429.0
68	80	190	406	775	126	252	145	143.5	358	M125 × 6	φ 13 × 150	169.0	455.0
70	83	196	416	795	130	260	149	147.5	368	M130 × 6	φ 13 × 150	179.0	482.0
72	85	200	430	825	134	266	154	152.5	383	M135 × 6	φ 16 × 160	189.0	510.0
74	87	206	442	845	136	272	157	155.5	389	M135 × 6	φ 16 × 160	200.0	539.0
76	89	212	454	865	140	280	162	160.5	400	M140 × 6	φ 16 × 170	210.0	568.0
78	91	216	466	895	144	286	166	164.5	409	M145 × 6	φ 16 × 170	222.0	599.0
80	93	222	480	920	148	294	170	168.5	420	M150 × 6	φ 16 × 180	233.0	630.0
82	95	228	490	930	152	302	174	172.5	431	M155 × 6	φ 16 × 180	245.0	662.0
84	97	234	506	960	156	310	179	177.5	439	M155 × 6	φ 16 × 180	257.0	694.0
86	99	238	516	980	158	316	182	180.5	448	M160 × 6	φ 16 × 190	270.0	728.0
88	101	244	528	1000	162	324	186	184.5	459	M165 × 6	φ 16 × 200	282.0	762.0
90	104	250	540	1030	166	332	191	189.5	470	M170 × 6	φ 16 × 200	295.0	797.0
92	106	256	554	1050	170	338	195	193.5	476	M170 × 6	φ 16 × 200	309.0	833.0
94	108	260	564	1070	174	346	199	197.5	487	M175 × 6	φ 16 × 210	322.0	870.0
96	110	266	578	1100	176	352	203	201.5	496	M180 × 6	φ 16 × 220	336.0	907.0
98	112	272	590	1120	180	360	207	205.5	504	M180 × 6	φ 16 × 220	350.0	945.0
100	114	276	602	1140	184	366	211	209.5	521	M185 × 6	φ 20 × 220	364.0	984.0

AUZAC CO.,LTD.

26-229, Tomochoushiroji, Fukuyama-shi, Hiroshima, Japan

mail:info@auzac.jp

HP:https://www.auzac.jp/en/